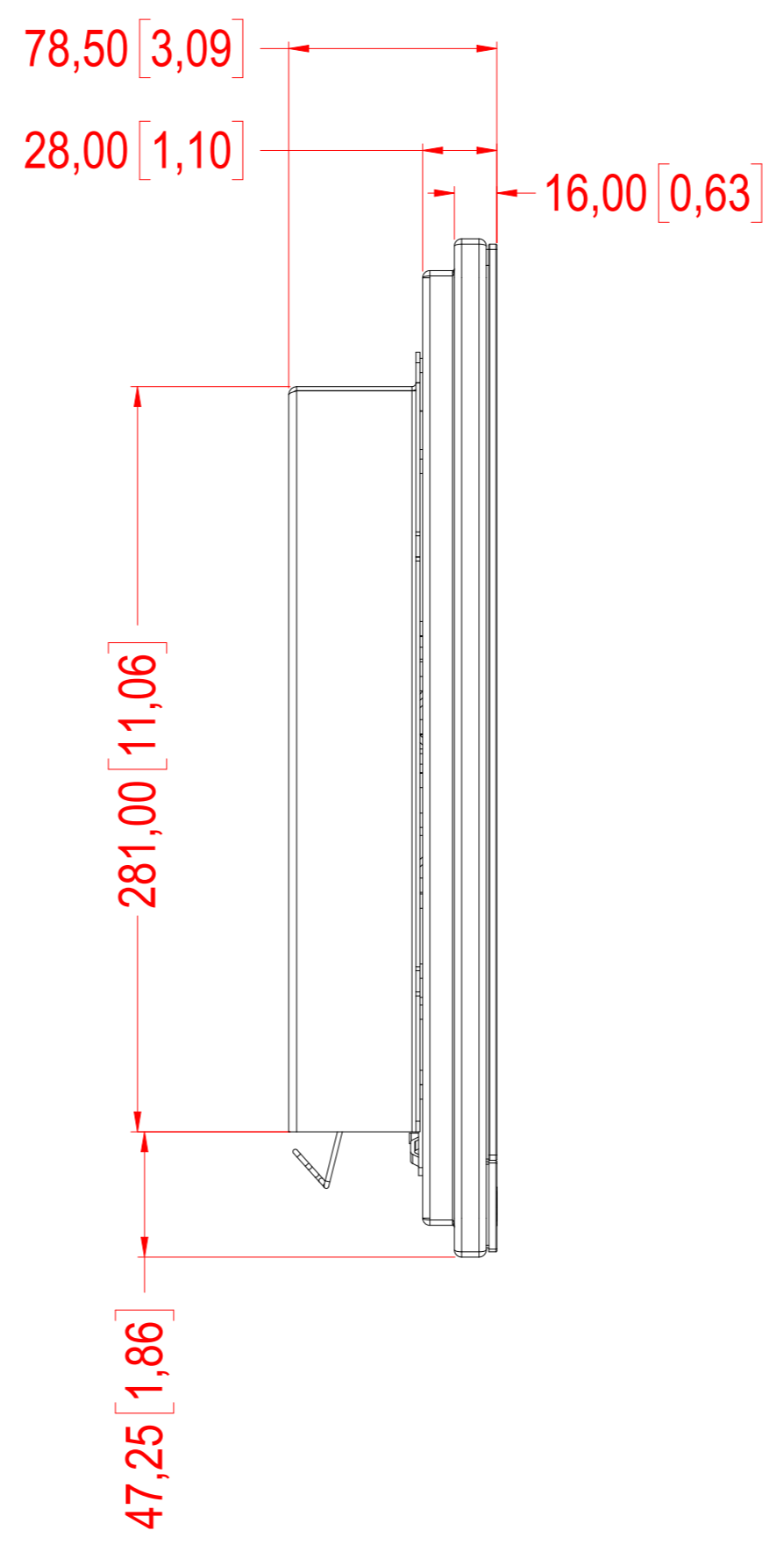


This document is the property of Hatteland Technology AS.
 This document and any authorized reproduction thereof must not be used in
 any way against the interest of Hatteland Technology AS.
 Any authorized reproduction, in whole or in part, must include this legend.

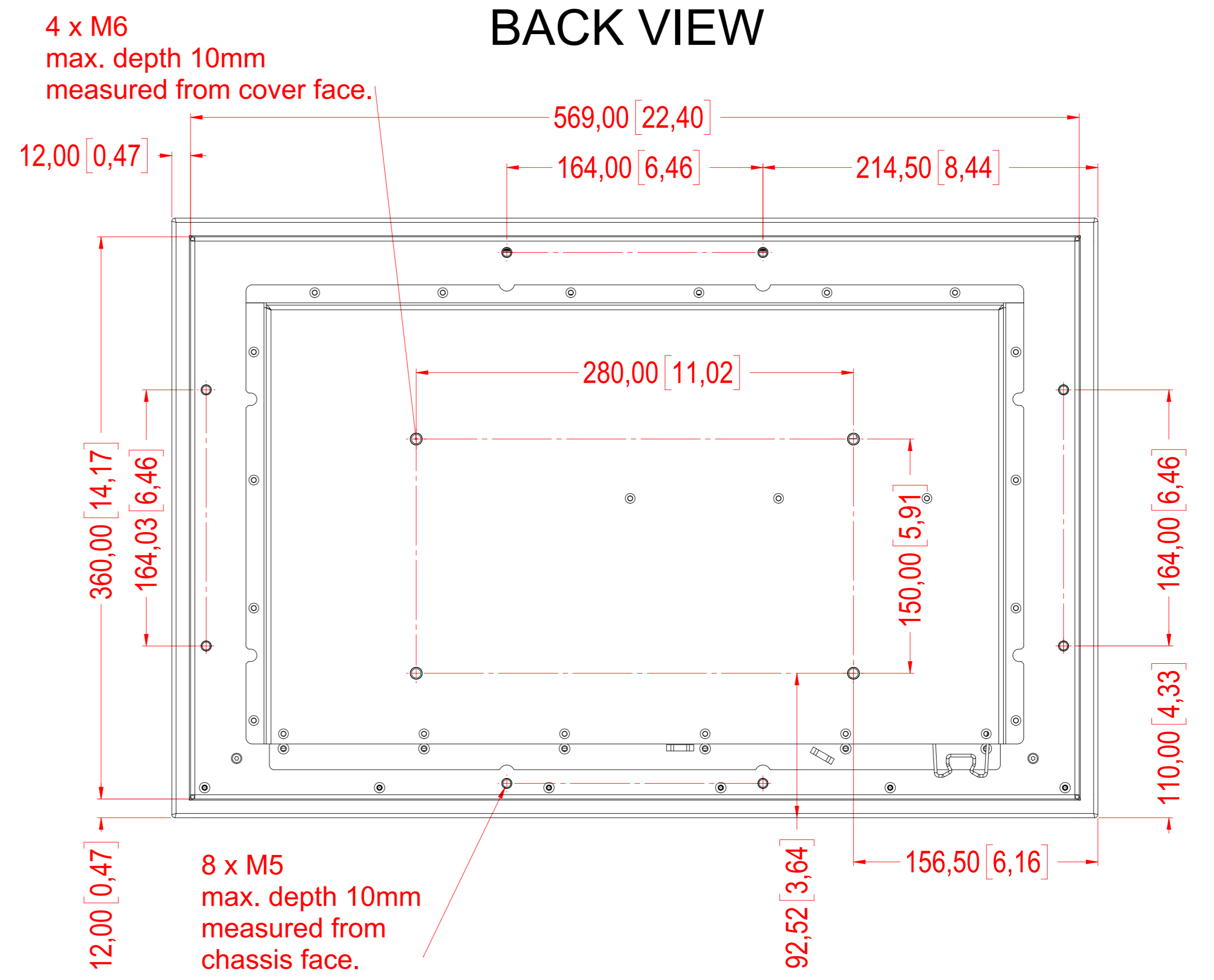
FRONT VIEW



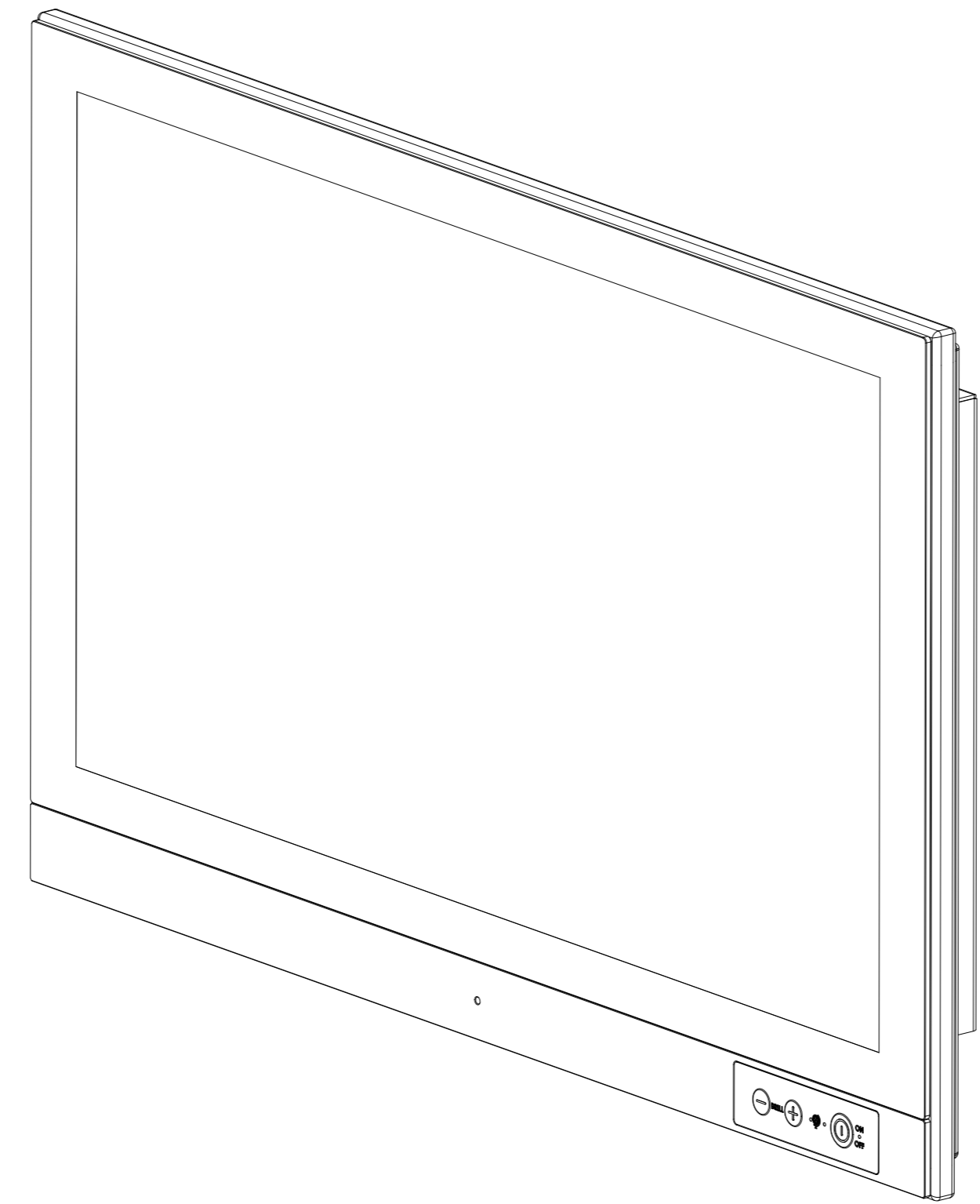
SIDE VIEW



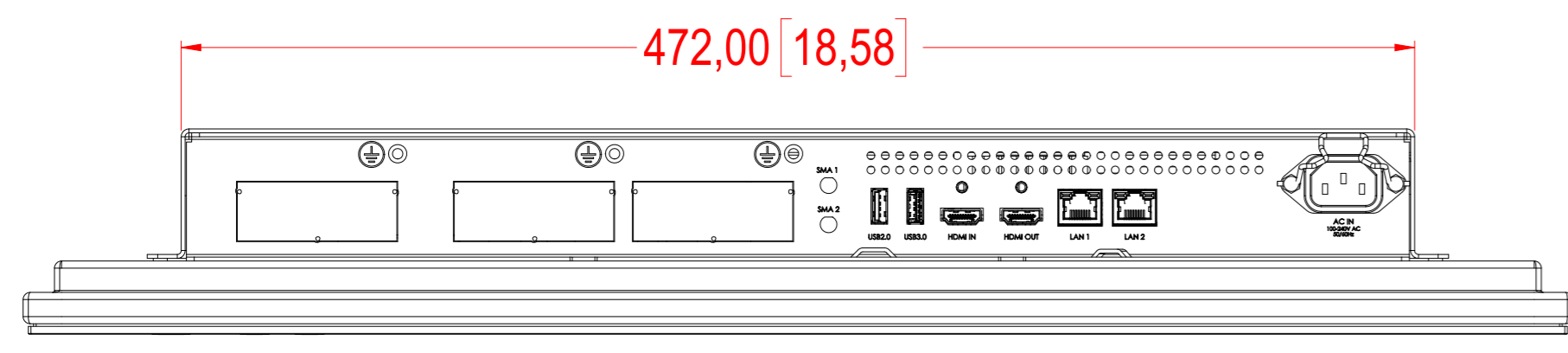
BACK VIEW



ISOMETRIC VIEW



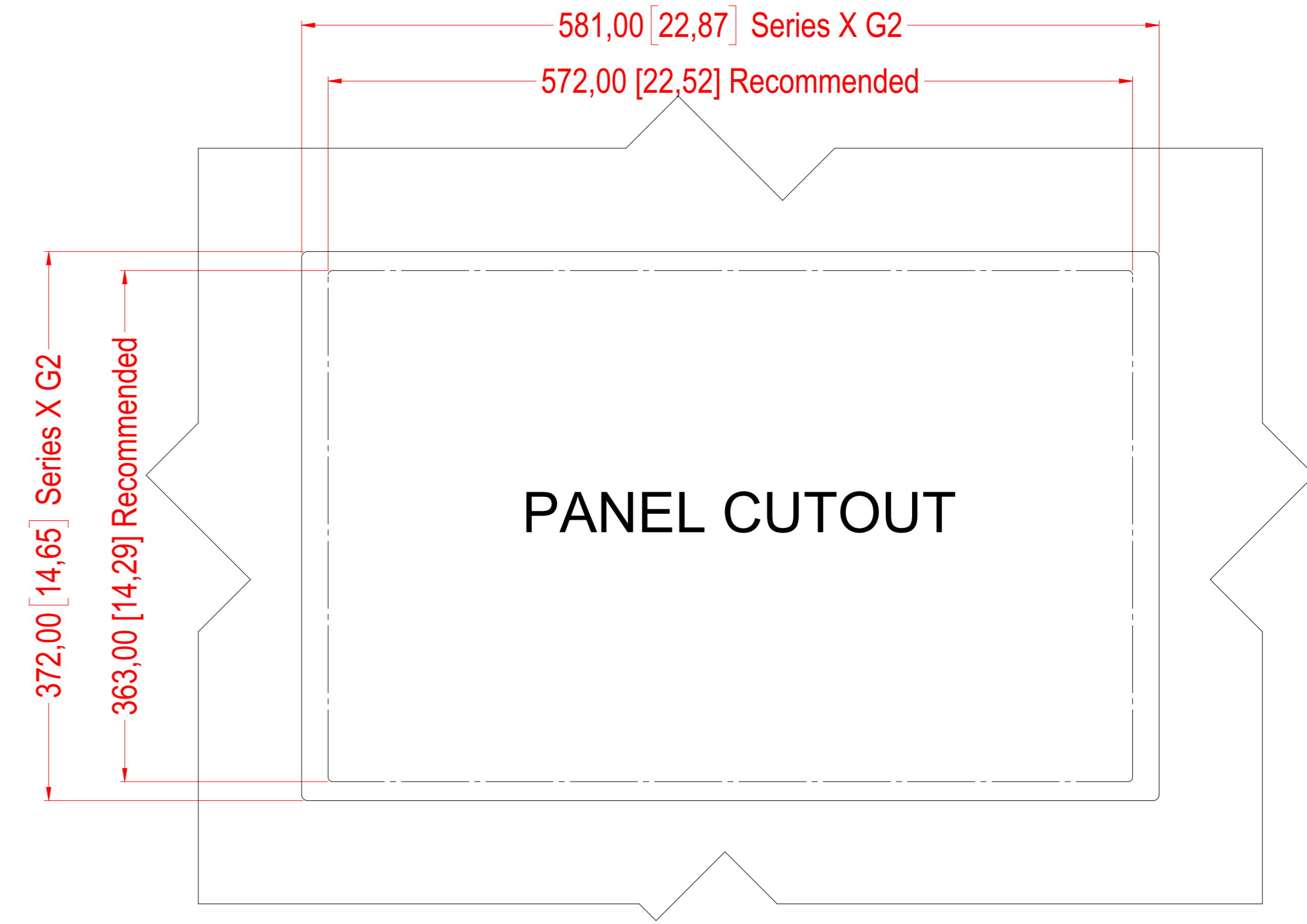
BOTTOM VIEW



TOP VIEW



PANEL CUTOUT



Units: mm [inches]

SALES DRAWING HD 24T30 MPA-A0A-0NPJNI
 shown in this drawing, but measurements generally apply for all HD 24T30 MxA-xxx-xxxxxx models

Creation date / by:	/	Projection:	A1	HATTELAND TECHNOLOGY an EMBRON Company
Last rev. date / by:	/		Scale: 1:2	Approved by: _____
Hatteland Technology AS Eikeskogvegen 52 N-5570 Akedal			Tolerance: ISO 2768-mK	Revision: 01 Drawing number: A011899